

ZEN

Design: ECLATEC





Configuration

Column Ø 76 mm
Column height: 3,5 m



Configuration

Column Ø 60 mm
Strium CAPITAN
Column height: 4 m



Configuration

CHANDELIER bracket
Outreach: 500 mm
Column height: 5 m

ZEN

Design: ECLATEC

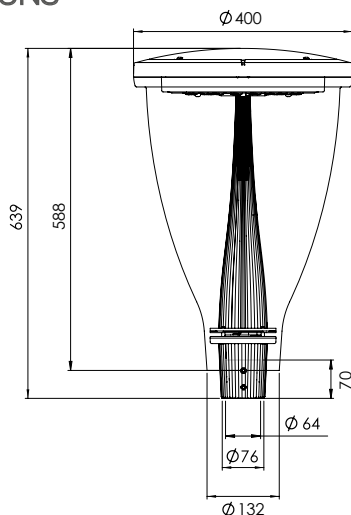


ZEN
With ZEDLED C module

DESCRIPTION

| | |
|----------------------|--|
| Product name | ZEN |
| Segmentation | Models available in 3 levels: -1E: Unique version for standard use -2E A: Fixed settings for night dimming -2EB: Fixed current setting at 700 mA, without options -3E: Most efficient and customizable version |
| Housing | Injected die cast aluminium bottom and canopy Clear (standard) or grey (option) frame, in polycarbonate |
| Bowl | Polycarbonate |
| Finish | E: 7035 RAL 2E, 3E: Polyester powder coating 2150 grey, RAL and other colours on the base and canopy are optional Grey colour central post |
| Impact protection | IK 10 - 50 joules |
| Ingress Protection | IP66 Extruded silicone gasket on the base, canopy and lower part Cable gland with anchoring device Breathing sys. with activated carbon filter |
| Dimensions (dia x h) | 400 x 639 mm |
| Weight | 8kg |
| Windage area | 0.15m ² |
| Watts/lumens | Click to view |

DIMENSIONS





ZEN
With BLS strips

SOURCES & PHOTOMETRIC DISTRIBUTIONS

| ZEN | | |
|-------------------------|--|---|
| | ZEDLED C | BLS strips |
| Sources | 1E: ZEDLED C0/C1 2E, 3E: ZEDLED C0/ C1/C2 | 1E: 2BLS12 2E, 3E: 2BLS8, 2BLS12 |
| Colour temperature | 3000 K, 4000 K | Amber*, 2200 K, 2400 K, 2700 K, 3000K, 4000 K |
| | ORALENS | QUADRALENS |
| Optical Distribution | 1E: ERS, ERL 2E, 3E: ECL, ERS, ERL, LRM | 1E: ERS, ERL 2E, 3E: ERS, ERL, ECa, ERE, ETS, LRS, LRL |
| Backlight shield option | Medium or strong cut-off | |
| Power supply current | 1E: 700 mA 2E A / B: A: ANF ⁽²⁾ / B: 700 mA 3E: Up to 700 mA ⁽¹⁾ | |

*Approx. 1800K, only on BLS12 as standard (1) >700mA possible on request (2) ANF: Unique program for driver, Fixed Night Dimming: 23 h - 5 h at 350 mA and 700 mA for the remaining time
E/L/P: Lighting/Luminance/Projection, R/C/T/F/P: Road/Circular/Pavement/Beam/Zebra crossing, E/S/L/A/D/G: Narrow/Standard/Wide/Asymmetrical/Right/Left



ZEDLED C
module



BLS strips

CONTROL OPTIONS

ZEN by Eclatec represents the latest in control systems, both centralised and decentralised. Adjustable current on the driver or at the bottom of the pole. Dimming as above as well as via bluetooth. All form factors support remote detection. Zen comes with Smart-Ready^(R) configuration (ZD4i). When used with a local network, communication can be detected with a pilot wire and/or wireless communication sensing. Remote management via WIZARD CMS.

MECHANICAL INTERFACES



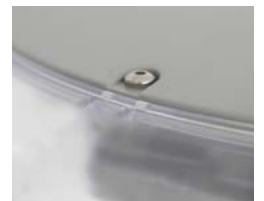
Post-top fastening on pole Ø 60/62 mm, with 6 screws

For pole Ø 76 mm top, optional spigot C

MAINTENANCE

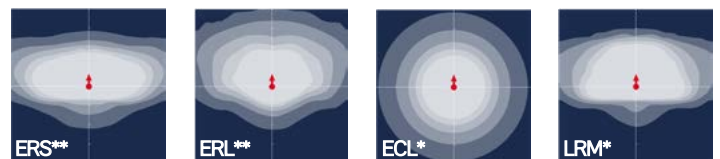
Maintenance of the equipment and LEDs

Removal of the cover with 4 concealed screws. The LED module can be exchanged after quick disconnection of the power supply. Removable LED module



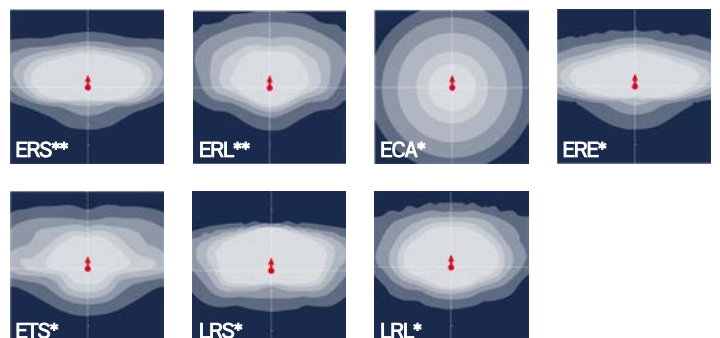
OPTICAL DISTRIBUTION

ORALENS



XXX** 1E Only
XXX* 1E, 2E, 3E

QUADRALENS



XXX** 1E Only
XXX* 1E, 2E, 3E