

BATTENS



EDB

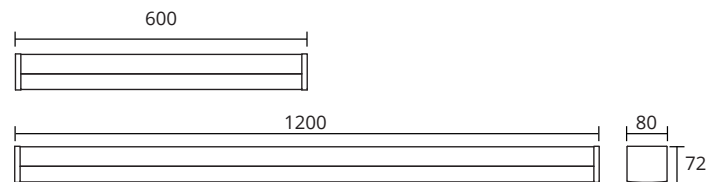
LED DIFFUSED BATTEN



Key Features

- Built-in high efficiency SMD chips.
- Highly transparent opal polycarbonate diffuser.
- Variable wattage, switch between 10/21W, 21/42W.
- Available in 4000K and 6500K.
- Large 6mm terminal block for easy installation.
- Quick install modular design.
- Emergency option.
- CRA ≥ 80 .
- 50,000 hour lifetime.
- L70 / B50.
- White finish.

Dimensions



Code

EDB/10/21/40/ND

Product Series	Wattage (W)	CCT	Driver
EDB	10/21 21/42 (900lm) (1850/3800lm)	40 65 4000K 6500K	ND NM Non Dim Non

Specifications subject to change without notice.

FBLD

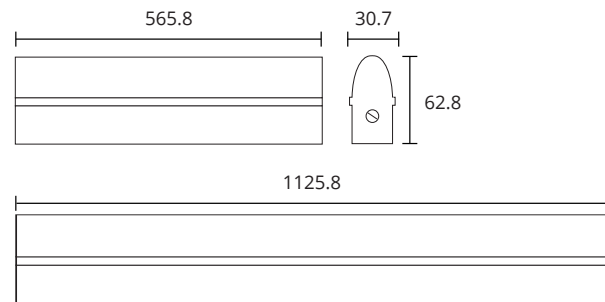
BALLAD-LED DIFFUSED BATTEN



Key Features

- L80 B10.
- Rated 70,000 hours.
- CRI>80.
- Dome diffuser.
- Batten range fabricated from 0.7mm zincseal steel with powder coated white finish.
- Suitable for fixing directly to ceiling or may be suspended with chains or rods.

Dimensions



Technical Information

Configuration	Non Dim System Wattage	Combined board output (lm)	Dimensions
1x08W	10.6	1220	565.8
2x08W	22.20	2440	1125.8
1x14W	17.62	2200	565.8
2x14W	34.34	4400	1125.8

Code

FBLD/2X08/12/40/ND

Product Series	# of Boards	Wattage of Boards	Nominal Length	CCT	Driver
FBLD Ballad	1 1 Board	08 8 Watts	06 600	30 3000K	ND Non Dim
	2 2 Board	14 14 Watts	12 1200	40 4000K	DALI DALI Dim
					SD Switch Dim

See Technical Information Table for configurations options
Specifications subject to change without notice

FHL-LED

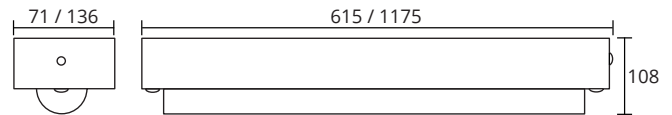
LED BATTEN



Key Features

- L80 B10.
- Rated 70,000 hours.
- CRI>80.
- Squareline batten range fabricated from 0.7mm zincseal steel with powder coated white finish.
- Wide body or narrow body available.
- Available in 1.0mm aluminium body for marine/corrosive environment (FHLAL-LED).
- Suitable for fixing directly to ceiling or may be suspended with chains or rods.

Dimensions



Technical Information

Configuration	Non Dim System Wattage	Combined board output (lm)	Dimensions
1x08W	10.6	1220	615/N
2x08W	22.20	2440	615/W & 1175/N
4x08W	38.10	4880	1175/W
1x14W	17.62	2200	615/N
2x14W	34.34	4400	615/W & 1175/N
4x14W	68.52	8800	1175/W

Code

FHL-LED/2X08/12/N/40/ND

Product Series		# of Boards		Wattage (W)		Nominal Dimension		Fitting Width		CCT		Driver	
FHL-LED	Steel Body	1	1 Board	8	8 Watts	6	600mm	N	Narrow Body	30	3000K	ND	Non Dim
FHLAL-LED	Aluminium Body	2	2 Board	14	14 Watts	12	1200mm	W	Wide Body	40	4000K	DALI	DALI Dim
		4	4 Board									SD	Switch Dim

See Technical Information Table for configurations options
Specifications subject to change without notice

FHLP-LED

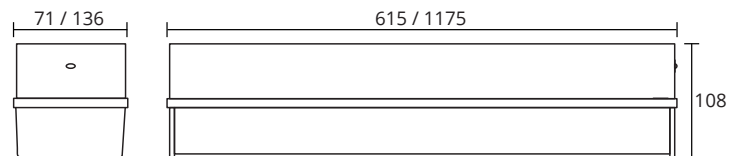
LED DIFFUSED BATTEN



Key Features

- Rated 70,000 hours. L80 B10.
- CRI>80.
- Squareline batten range fabricated from 0.7mm zincseal steel with powder coated white finish.
- White ABS plastic end caps screw fixed to the fitting body.
- Formed with K12 prismatic diffuser.
- Wide body or narrow body available.
- Available in 1.0mm aluminium body for marine/corrosive environment (FHLPAL-LED).
- Suitable for fixing directly to ceiling or may be suspended with chains or rods.

Dimensions



Technical Information

Configuration	Non Dim System Wattage	Combined board output (lm)	Dimensions
1x08W	10.6	1220	615/N
2x08W	22.20	2440	615/W & 1175/N
4x08W	38.10	4880	1175/W
1x14W	17.62	2200	615/N
2x14W	34.34	4400	615/W & 1175/N
4x14W	68.52	8800	1175/W

Code

FHLP-LED/2X08/12/N/40/ND

Product Series		# Boards		Wattage (W)		Nominal Dimensions		Fitting Width		CCT		Driver	
F HLP-LED	Steel Body	1	1 Board	8	8 Watts	6	600 mm	N	Narrow	30	3000K	ND	Non Dim
F HLPAL-LED	Aluminium Body	2	2 Board	14	14 Watts	12	1200 mm	W	Wide	40	4000K	DALI	DALI Dim
		4	4 Board									SD	Switch Dim

See Technical Information Table for configurations options.
Specifications subject to change without notice.

RA-LED

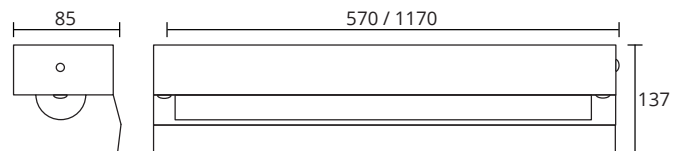
RIGHT ANGLED REFLECTOR BATTEN



Key Features

- Squareline batten range fabricated from 0.7mm Zincseal Steel with white powder coated finish.
- Steel reflector with white powder coated finish.
- Also available in 1.0mm Aluminium body for marine/corrosive environment.
- Suitable for fixing directly to ceiling or may be suspended with chains or rods.
- Ideal for blackboard/whiteboard lighting in teaching areas.
- Available in DALI Dim or Switch Dim.
- L80 B10.
- Rated 70,000 hours.
- CRI>80.

Dimensions



Technical Information

Number of Boards	Possible Configurations	Combined Board Output (lm)	Nominal Lengths (mm)
1	1x08W	1220	570
2	2x08W	2440	570&1170
1	1x14W	2200	1170
2	2x14W	4400	570

Code

RA-LED/2X08/12/40/ND

Product Series		# of Boards		Wattage (W)		Nominal Dimensions		CCT		Driver	
RA-LED	Steel Body	1	1 Board	08	8 Watts	6	600mm	30	3000K	ND	Non Dim
RAAL-LED	Aluminium Body	2	2 Board	14	14 Watts	12	1200mm	40	4000K	DALI SD	DALI Dim Switch Dim

See Technical Information Table for configurations options
Specifications subject to change without notice

WG-LED

LED WIRE GUARD BATTEN



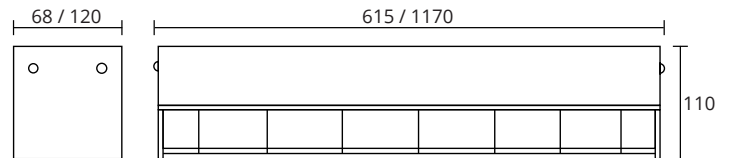
Key Features

- L80 B10.
- Rated 70,000 hours.
- CRI>80.
- WG-LED fabricated from 0.7mm zincseal steel with galvanized wire guard and white powder coated finish.
- WGAL-LED 1.0mm aluminum body for marine/corrosive environment with galvanized wire guard and white powder coat finish.
- Zincseal steel white end caps screw fixed to the body.
- Suitable for fixing directly to ceiling or may be suspended with chains or rods.
- Wide body (pictured) or narrow body available.

Accessories

- Suspension kits chain or rod
- Also available as a lift well guarded batten, complete with end mounting brackets and flex & plug from end of the fitting.

Dimensions



Technical Information

Configuration	Non Dim System Wattage	Combined board output (lm)	Dimensions
1x08W	10.6	1220	615/N
2x08W	22.20	2440	615/W & 1170/N
4x08W	38.10	4880	1170/W
1x14W	17.62	2200	615/N
2x14W	34.34	4400	615/W & 1170/N
4x14W	68.52	8800	1170/W

Code

WG-LED/2X08/12/N/40/ND

Product Series		# Boards		Wattage (W)		Nominal Dimensions		Fitting Width		CCT		Lift Well Option		Driver	
WG-LED	Steel Body	1	1 Board	8	8 Watts	6	600 mm	N	Narrow Body	30	3000K	(Blank)	Standard	ND	Non Dim
WGAL-LED	Aluminium Body	2	2 Board	14	14 Watts	12	1000 mm	W	Wide Body	40	4000K	LW	Lift Well	DALI	DALI Dim
		4	4 Board											SD	Switch Dim

See Technical Information Table for configurations options.
Specifications subject to change without notice.



FOS

lighting

info@foslighting.com.au

foslighting.com.au

1300 241 087

FOS Lighting reserves the right to make any changes without prior notification