

LINK

Design: ECLATEC





Configuration

Shallow clear
«Art Déco» Arm
Column Ø 76 mm
Column height: 4 m



Configuration

Shallow clear
Column Ø 76 mm
Column height: 4 m



Configuration

Shallow clear
Sublimated column Ø 76 mm
Column height: 4 m



Configuration

Shallow clear
Stanza wall bracket
Outreach 700 mm

LINK

Design: ECLATEC

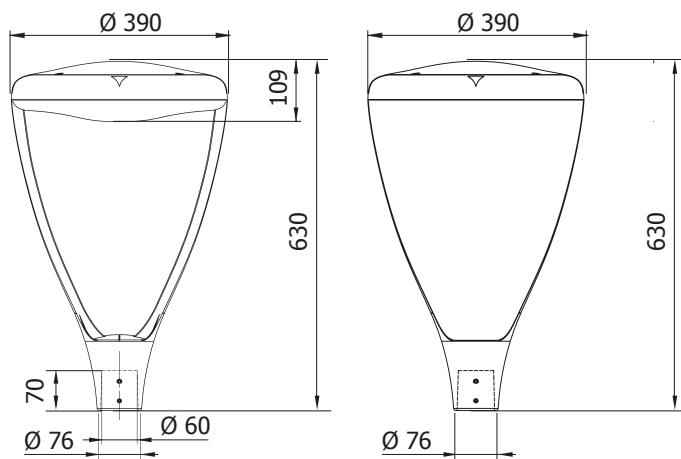


LINK (PCC)
Shallow clear

DESCRIPTION

Product name	LINK
Segmentation	Models available in 3 levels: - 1E: Unique version for standard use - 2E A: Fixed settings for night dimming - 2EB: Fixed current setting at 700 mA, without options - 3E: Most efficient and customizable version
Watts/lumens	Click to view
Housing	Base, cover and arm in injected die-cast aluminium
Bowl	4 polycarbonate bowls: deep clear, deep structured, shallow clear and shallow opaline
Finish	1E: 7035 RAL 2E, 3E: Polyester powder coating, any colour available
Impact protection	IK 10 - 50 joules
Ingress Protection	IP66 Extruded silicone gasket Breathing system with activated carbon filter
Dimensions (dia x h)	390 x 630 mm
Weight	8.5kg
Windage area	0.13m ²

DIMENSIONS



LINK short bowl

LINK deep bowl





LINK (PCO)
Shallow opaline



LINK (PHC)
Deep clear



LINK (PHS)
Deep structured

SOURCES & PHOTOMETRIC DISTRIBUTIONS

LINK

Sources	LINK (ORALED type)	BLS strips
Colour temperature	3000 K or 4000 K	1E: 3000 K, 4000 K 2E, 3E: Amber*, 2200 K, 2400 K, 2700 K, 3000K, 4000 K
Optical Distribution	ORALENS	QUADRALENS
	1E: ERS, ERL 2E, 3E: ECL, ERS, ERL, LRM	1E: ERS, ERL 2E, 3E: ERS, ERL, ECa, ERE, ETS, LRS, LRL
Backlight shield option	Medium or strong cut-off	
Power supply current	1E: 700 mA 2E A / B: A: ANF ⁽²⁾ / B: 700 mA 3E: Up to 700 mA ⁽¹⁾	

*Approx. 1800K, only on BLS12 as standard (1) >700mA possible on request (2) ANF: Unique program for driver, Fixed Night Dimming: 23 h - 5 h at 350 mA and 700 mA for the remaining time
E/L/P: Lighting/Luminance/Projection, R/C/T/F/P: Road/Circular/Pavement/Beam/Zebra crossing, E/S/L/A/D/G: Narrow/Standard/Wide/Asymmetrical/Right/Left



LINK (ORALED type)



BLS strips

MECHANICAL INTERFACES



Top fastening for Ø 60/62 mm pole, fixed with six screws



For standard Ø 76 mm pole, C end available as an option

DECORATIVE ARMS OPTION



Art Déco Arm



Millésime Arm

CONTROL OPTIONS

LINK by Eclatec represents the latest in control systems, both centralised and decentralised. Adjustable current on the driver or at the bottom of the pole. Dimming as above as well as via bluetooth. All form factors support remote detection additionally it supports Smart-Ready^(R) configuration (ZD4i). When used with a local network, communication can be detected with a pilot wire and/or wireless communication sensing. Remote management via WIZARD CMS system.

MAINTENANCE

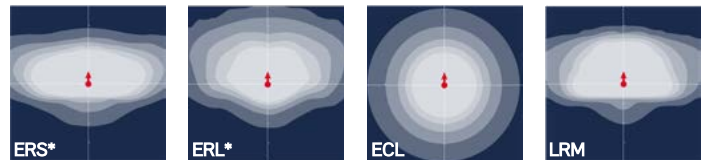
Electric equipment maintenance To access the geartray, remove the captive screws and remove the cover

Sources maintenance To access the LED array, remove the 2 retaining screws



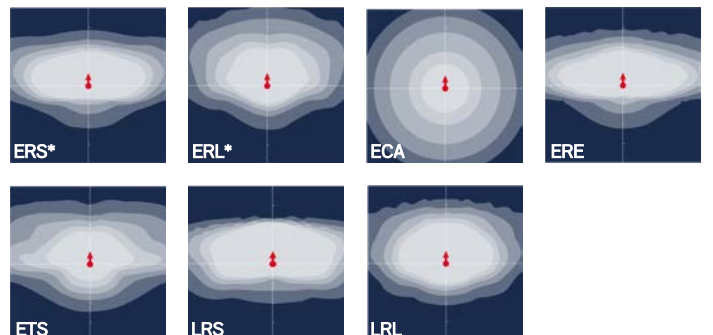
OPTICAL DISTRIBUTION

ORALENS



Model 1E option supports only XXX*; 2E & 3E supports all

QUADRALENS/BLS



Model 1E option supports only XXX*; 2E & 3E supports all