

ECLATEC

ITEM

Design: STOA Architecture



# ITEM



ITEM 600  
lateral, smooth body

## DESCRIPTION:

ECLATEC Item is a versatile luminaire that comes as both a low profile street and area light. Via the addition of a range of mounting and functional components and accessories, Item can be adapted to the needs of any project. The contiguous design permits specifiers to establish a unified look and feel throughout a district. Tool-less entry means easy installation and maintenance. Available in a number of colours and three body trim finishes.

| Product name              | ITEM 500   | ITEM 600           |
|---------------------------|--|--------------------|
| Housing                   | Die cast aluminium   |                    |
| Body Trim                 | SMOOTH, HONEYCOMB or TRAIID. Body Customised pattern option (depending on study) |                    |
| Bowl                      | Thermally tempered and screen printed flat glass (VPC)                           |                    |
| Finish                    | Polyester powder coating, any colour available                                   |                    |
| Impact protection         | IK10   | IK08               |
| Ingress Protection        | IP66   |                    |
| Dimensions (dia x height) | 500x103 mm   | 600x103 mm         |
| Weight                    | 9.7kg  | 12.2kg             |
| Windage area              | 0.04m <sup>2</sup>   | 0.05m <sup>2</sup> |
| Max Power (W)             | 56W (ORALED 1)   | 145W (REOLED)      |
| Max Lumens (lm) @ 3000K   | 8,819lm (ORALED)   | 24,221lm (BLS)     |
| Backlight Shield Options  | Medium or strong cut-off   |                    |
| Power Supply Current      | Adjustable up to 700 mA <sup>(1)</sup>   |                    |

LED Module  
(ORALED type)



LED Module  
BLS strips



## CONTROL OPTIONS

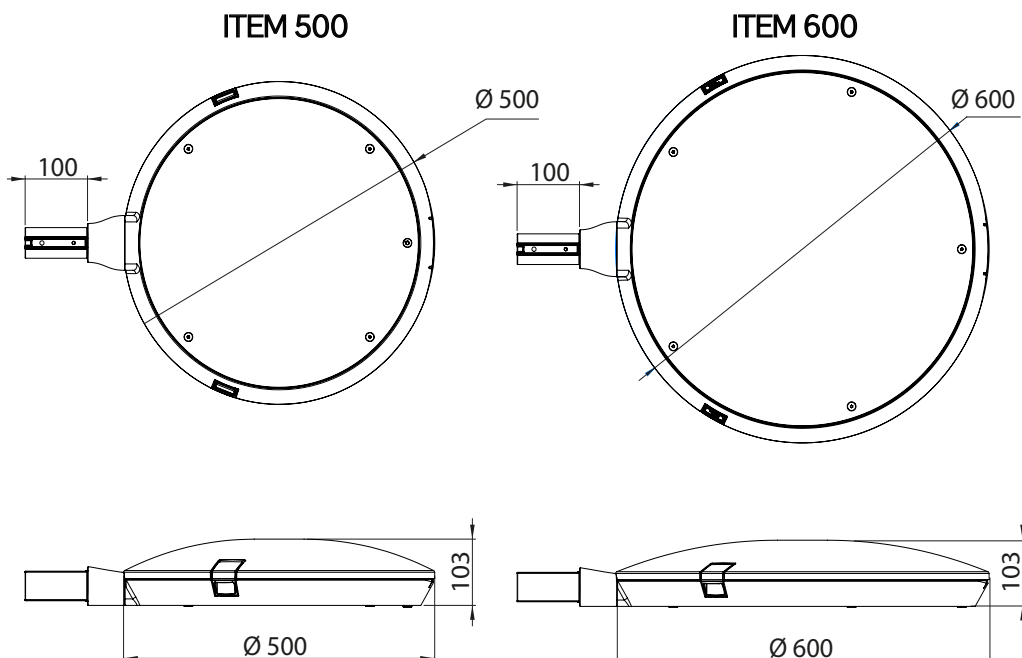
ITEM by Eclatec represents the latest in control systems, both centralised and decentralised. Adjustable current on the driver or at the bottom of the pole. Dimming as above as well as via bluetooth. Both form factors support remote detection while 500 supports built in detection for versions without a frame. Smart-Ready<sup>(R)</sup> configuration (ZD4i) with double Smart-Ready for versions without a frame. When used with a local network, communication can be detected with a pilot wire and/or wireless communication sensing. Remote management via WIZARD CMS system.

## MAINTENANCE

Maintenance is simplified via toolless access to the body and toolless quick electrical disconnection which facilitates circuit board removal on site without tools. Access to the LED sources happens after removal of the bowl.

Watts/lumens

[Click to view](#)



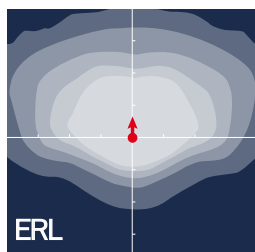
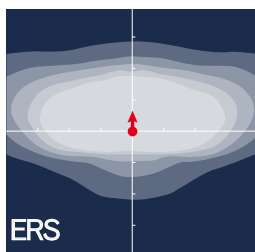
## OPTICAL OPTIONS

|                         | ITEM 500   | ITEM 600                          |
|-------------------------|--|-----------------------------------|
| Sources                 | ITEM (ORALED type)<br>BLS strips   | ITEM (ORALED type)                |
| Colour temperature      | ORALED: 3000 K or 4000 K<br>QUADRALENS: Amber*, 2200 K, 2400 K, 2700 K, 3000 K or 4000 K |                                   |
| Optical Distribution    | ORALENS: ERS, ERL  | ORALENS: ERS, ERL                 |
|                         | QUADRALENS:<br>ERS, ERL, PFA, EPD,<br>EPG, ECL, ECa, ETS                                 | QUADRALENS:<br>ERS, ERL, EPD, EPG |
| Backlight shield option | Medium or strong cut-off   |                                   |
| Power supply current    | Adjustable up to 700 mA <sup>(1)</sup>   |                                   |

\*Approx. 1800K, only on BLS12 as standard (1) >700mA possible on request  
E/L/P: Lighting/Luminance/Projection  
R/C/T/F/P: Road/Circular/Pavement/Beam/Zebra crossing  
E/S/L/A/D/G: Narrow/Standard/Wide/Asymmetrical/Right/Left

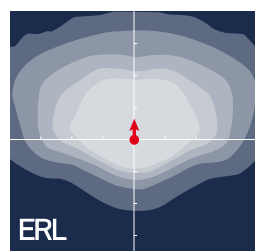
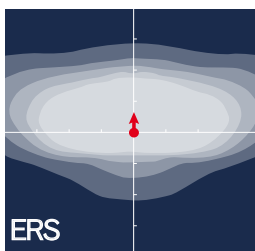
## ITEM 500 & 600 ORALENS OPTICAL DISTRIBUTIONS

Road type batwing distribution.



## ITEM 500 & 600 QUADRALENS DISTRIBUTIONS

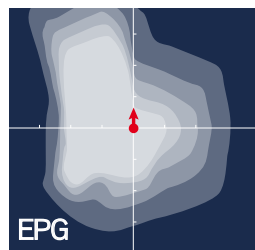
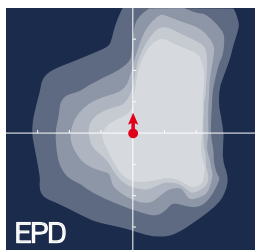
Heavy usage roads, for excellent visual uniformity & user comfort.



Placed upstream of crossing section, in the moving traffic direction.

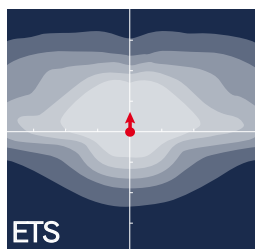
For 2 way street

+ EPD covers 1 way

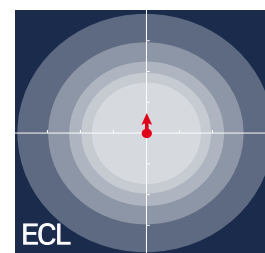
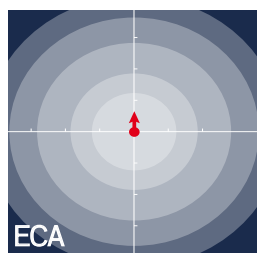


## ITEM 500 QUADRALENS OPTICAL DISTRIBUTIONS

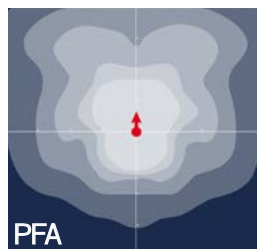
Standard Sidewalk illuminance



Circular illuminance - car park, park etc.

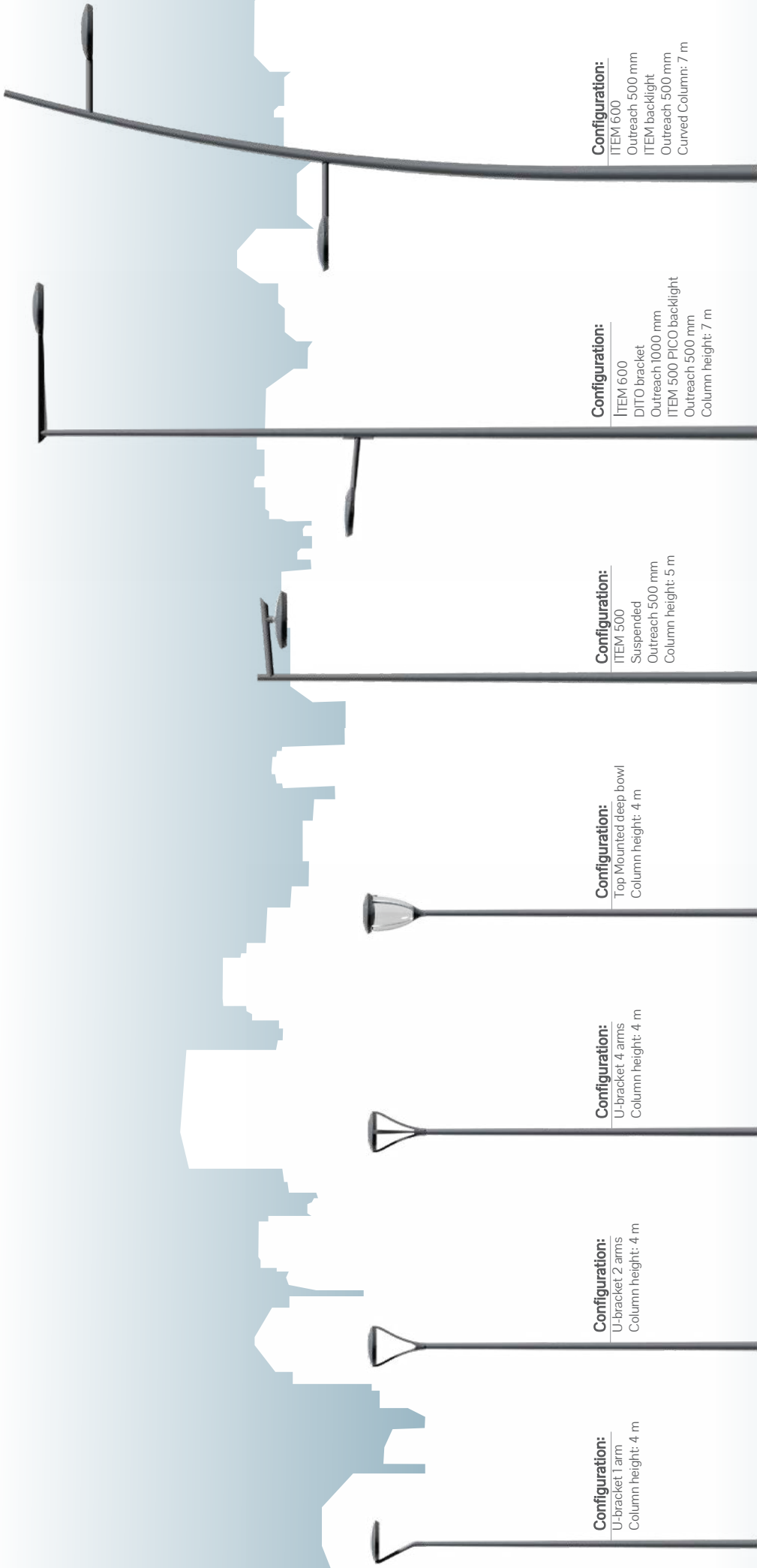


Projector beam. Asymmetric projection  $\approx$  Clmax = 50° / glmax = 65°



OTHER QUADRALENS DISTRIBUTIONS AVAILABLE UPON REQUEST





**Configuration:**  
U-bracket 1 arm  
Column height: 4 m

**Configuration:**  
U-bracket 2 arms  
Column height: 4 m

**Configuration:**  
U-bracket 4 arms  
Column height: 4 m

**Configuration:**  
Top Mounted deep bowl  
Column height: 4 m

**Configuration:**  
ITEM 500  
Suspended  
Outreach 500 mm  
Column height: 5 m

**Configuration:**  
ITEM 600  
DITO bracket  
Outreach 1000 mm  
ITEM 500 PICO backlight  
Outreach 500 mm  
Column height: 7 m









**Configuration:**  
ITEM 600  
Outreach 500 mm  
ITEM backlight  
Outreach 500 mm  
Curved Column: 7 m

# ITEM STREETLIGHT



ITEM 500  
lateral, smooth body

## MOUNTING BRACKETS

-  LL: Side entry coupled with sleeve for bracket end with external Ø 60 mm
-  LLM 60: Smooth lateral with covering sleeve Ø 60 mm
-  LR: Side entry with swivel joint and Ø ¼" thread for female boss welded onto pole or bracket
-  LRL: Side entry with plain swivel joint coupled with sleeve for bracket end with external Ø 60 mm
-  Top or bi-top: fitting for pole Ø 60/62 mm. For pole Ø 76 mm top, optional spigot A
-  LTO 60: Directional covering lateral top for Ø 60 mm
-  SM: Suspended with a threaded Nipple Ø 27 pdg (G3/4") and Ø 34 pdg
-  Wall mount and pad

## DEDICATED BRACKETS

Single or double light bracket, outreach 600 or 1000 mm.  
Wall mounted light and backlight, outreach 600 mm.  
ATOS bracket tilt 1° - ARTIS and DITO brackets tilt 5°



ATOS  
Design: STOA Architecture

ARTIS

DITO

## POLE MOUNT ALTERNATIVES



ITEM 500  
Suspended  
TRAUD Body Trim



ITEM 500  
Top  
SMOOTH Body Trim

# ITEM AREA LIGHT

## DESCRIPTION

|                    |   |
|--------------------|---|
| Product name       | ITEM 500  |
| Housing            | Die cast aluminium  |
| Plate              | SMOOTH, HONEYCOMB or TRAUD plate<br>Customised pattern option (depending on study)  |
| Bowl               | Thermally tempered and screen printed flat glass (VPC)<br>Deep clear polycarbonate bowl (PHC), optional internal diffuser |
| Finish             | Polyester powder coating, any colour available  |
| Impact protection  | Flat (VPC): IK 09 / Deep bowl (PHC): IK 10  |
| Ingress Protection | IP66<br>Extruded silicone gasket<br>Cable gland with anchoring device<br>Breathing system with activated carbon filter    |
| Watts/lumens       | Click for Data  |

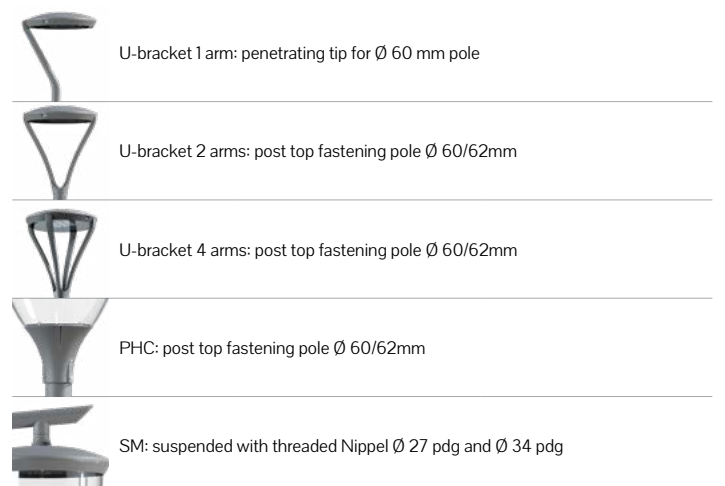
| Dimensions (dia x h) |                    |
|----------------------|--------------------|
| U-bracket 1 arm      | 500 x 671 mm       |
| U-bracket 2, 4 arms  | 500 x 701 mm       |
| PHC post top         | 500 x 758 mm       |
| PHC suspended        | 500 x 714 mm       |
| Weight               |                    |
| U-bracket 1 arm      | 10.3kg             |
| U-bracket 2 arms     | 12.1kg             |
| U-bracket 4 arms     | 12.4kg             |
| PHC post top         | 11kg               |
| PHC suspended        | 11.1kg             |
| Windage area         |                    |
| U-bracket 1 arm      | 0.06m <sup>2</sup> |
| U-bracket 2 arms     | 0.07m <sup>2</sup> |
| U-bracket 4 arms     | 0.10m <sup>2</sup> |
| PHC post top         | 0.19m <sup>2</sup> |
| PHC suspended        | 0.19m <sup>2</sup> |

|                |   |
|----------------|---|
| Materials used | ITEM 500 Bowl PHC<br>Aluminium 58%<br>Steel 9%<br>Plastic 26%<br>Other 7% |
|----------------|---|

## BODY-TRIM OPTIONS



## MECHANICAL INTERFACES





ITEM 500  
U-bracket 4 arms  
TRIAD body



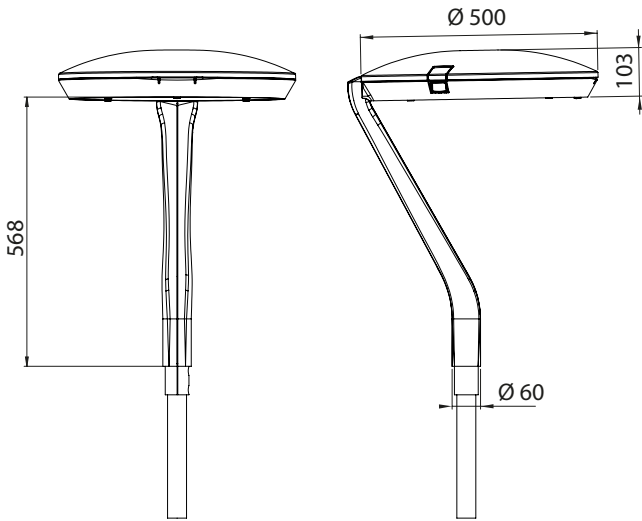
ITEM 500  
Post Top PHC bowl  
SMOOTH body



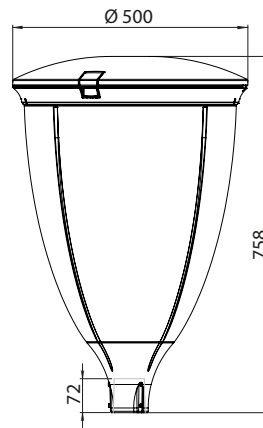
ITEM 500  
Post Top PHC bowl  
SMOOTH body

## DIMENSIONS

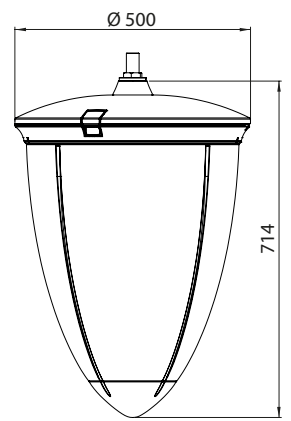
ITEM U-bracket 1 arm



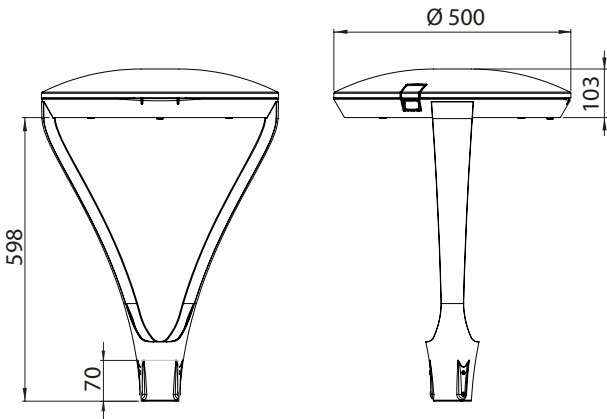
ITEM PHC post top



ITEM PHC suspended



ITEM U-bracket 2 arms

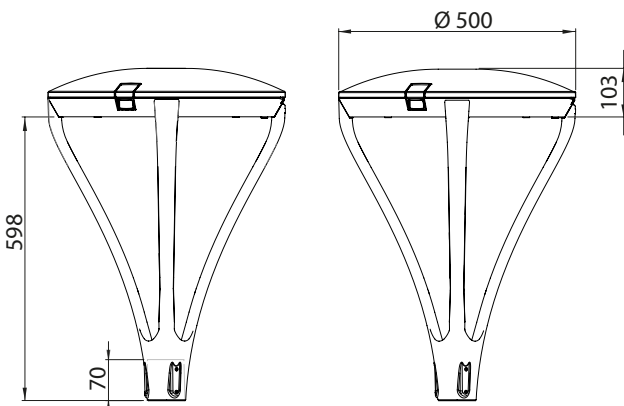


## ACCESSORY

Deep clear polycarbonate bowl (PHC) with internal diffuser



ITEM U-bracket 4 arms





FOS  
lighting

info@foslighting.com.au  
foslighting.com.au  
1300 241 087

FOS Lighting reserves the right to make any changes without prior notification