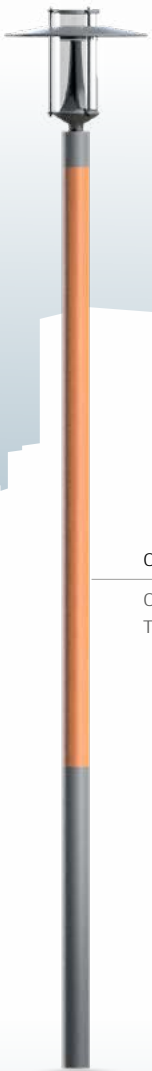


# ORIENTIS

Design: GHM

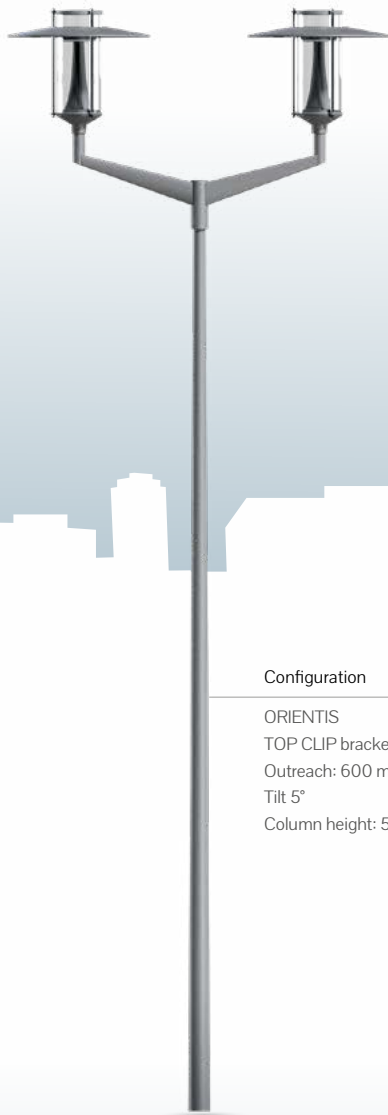




Configuration

---

ORIENTIS  
Totem column: 4,70 m



Configuration

---

ORIENTIS  
TOP CLIP bracket  
Outreach: 600 mm  
Tilt 5°  
Column height: 5 m



Configuration

---

ORIENTIS H  
LUXEM column  
Column height: 4 m

# ORIENTIS

Design: GHM



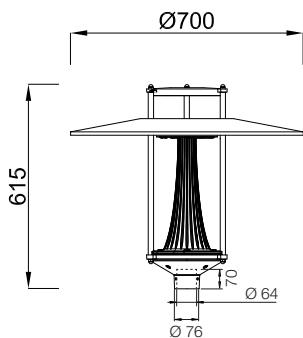
ORIENTIS

## DESCRIPTION

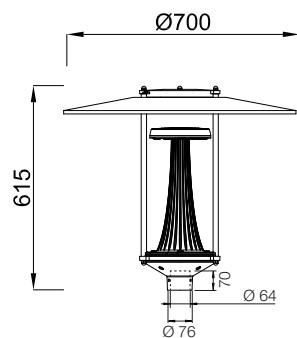
Product name	ORIENTIS
Housing	Injected aluminium bottom and cap Circular conical dome Ø 700 mm in spun aluminium, underside painted in white RAL 9010 - Stainless steel rods High cap version = Orientis H
Bowl	Polycarbonate
Finish	Polyester powder coating, any colour available
Impact protection	IK 08
Ingress Protection	IP66 Extruded silicone gasket Entry sleeve Breathing system with activated carbon filter
Dimensions (dia x h)	700 x 615 mm
Weight	7.1kg
Windage area	0.15m <sup>2</sup>
Watts/lumens	<a href="#">Click to view</a>

## DIMENSIONS

ORIENTIS



ORIENTIS H







ORIENTIS H

## SOURCES & PHOTOMETRIC DISTRIBUTIONS

### ORIENTIS

Sources	ZEDLED B
Colour temperature	3000 K or 4000 K
Optical Distribution	ORALENS: ERS, ERL, ECL
Power supply current	Adjustable up to 700 mA

E/L/P: Lighting/Luminance/Projection, R/C/T/F/P: Road/Circular/Pavement/Beam/Zebra crossing, E/S/L/A/D/G: Narrow/Standard/Wide/Asymmetrical/Right/Left



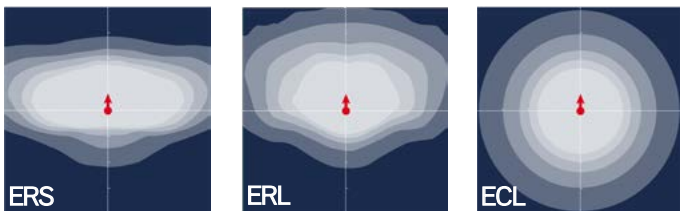
ZEDLED B module

## CONTROL OPTIONS

ORIENTIS by Eclatec represents the latest in control systems, both centralised and decentralised. Adjustable current on the driver or at the bottom of the pole. Dimming as above as well as via bluetooth. All form factors support remote detection.

When used with a local network, communication can be detected with a pilot wire and/or wireless communication sensing. Remote management via WIZARD CMS system.

## OPTICAL DISTRIBUTION



## MECHANICAL INTERFACES



Post-top fastening on pole  $\varnothing$  60/62 mm, with 6 screws



For pole  $\varnothing$  76 mm top, optional spigot C (cf p 280)

## MAINTENANCE

Opening and Closing	Open the luminaire by unlocking and rotating the cover.
Maintenance	Access to the LED module by lifting the diffuser and locking it in the high position with a hook.

