

BOLA

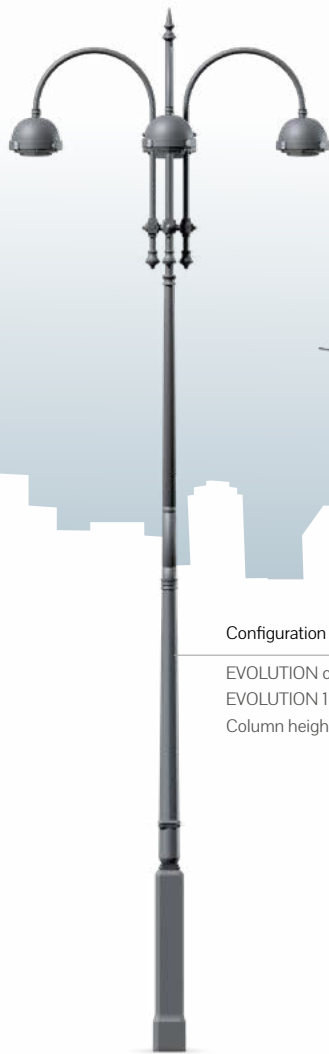
Design: ECLATEC





Configuration

SPIRALE BA column
Column height: 6 m



Configuration

EVOLUTION column
EVOLUTION 1 bracket
Column height: 7 m



Configuration

Catenary

BOLA

Design: ECLATEC

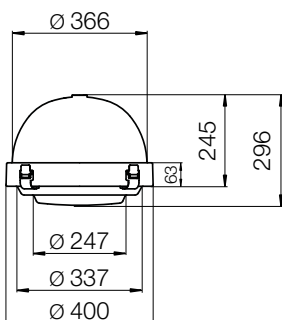


BOLA 40

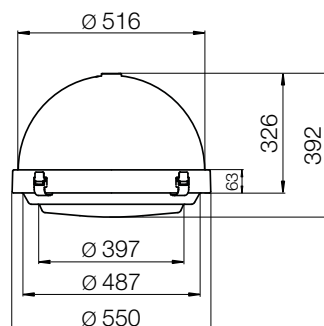
DESCRIPTION

Product name	BOLA 40	BOLA 55
Housing	Frame in injected aluminium Spun aluminium dome	
Bowl	Polycarbonate truncated-cone	
Finish	Polyester powder coating, any colour available	
Impact protection	IK 07	
Ingress Protection	IP66 Extruded silicone gasket Cable gland with anchoring device Breathing system with activated carbon filter	
Dimensions (dia x h)	400 x 296 mm	550 x 392 mm
Weight	7 kg	11 kg
Windage area	0,7 m ²	1 m ²
Watts/lumens	Click to view	

BOLA 40



BOLA 55





BOLA 55

SOURCES & PHOTOMETRIC DISTRIBUTIONS

	BOLA 40	BOLA 55
Sources	BLS strips	
Colour temperature	Amber*, 2200 K, 2400 K, 2700 K, 3000 K, 4000 K	
Optical Distribution	QUADRALENS : ERS, ERL, ERE, LRS, LRL, PFA, ECa, EPD, EPG	
Backlight shield option	Medium or strong cut-off	
Power supply current	6BLS12 max, up to 750 mA	

*Approx. 1800K, only on BLS12 as standard
E/L/P: Lighting/Luminance/Projection, R/C/T/F/P: Road/Circular/Pavement/Beam/Zebra crossing, E/S/L/A/D/G: Narrow/Standard/Wide/Asymmetrical/Right/Left

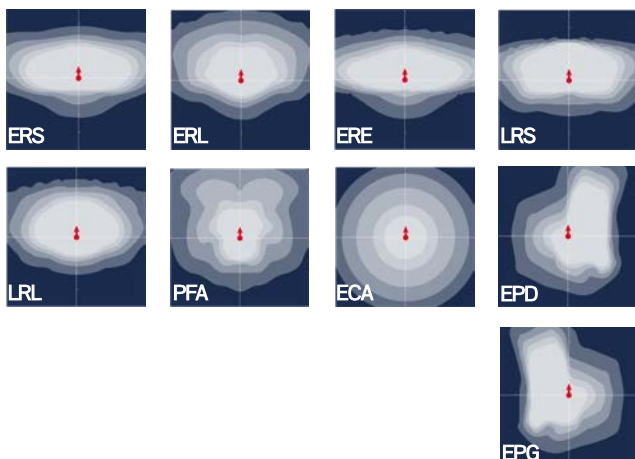


BLS strips

CONTROL OPTIONS

BOLA by Eclatec represents the latest in control systems, both centralised and decentralised. Adjustable current on the driver or at the bottom of the pole. Dimming as above as well as via bluetooth. All form factors support remote detection while. When used with a local network, communication can be detected with a pilot wire and/or wireless communication sensing. Remote management via WIZARD CMS system.

OPTICAL DISTRIBUTION



MECHANICAL INTERFACES



SC: Suspended catenary



SC: Suspended catenary with Zhaga connector



SM: suspended with threaded Nippel Ø 27 pdg

MAINTENANCE

Lighting equipment maintenance	Acces to the equipment board by 1 quarter-turn screw. The module swivels around a hinge. Quick electrical disconnection without tools. Equipment board removable
Opening and closing	The luminaire cover can be opened without tools using the 4 flaps {1}. The luminaire is held in the open position by a safety stay
Source maintenance	Access to the LED sources after removal of the bowl {2}

