

EXTERIOR



CWP-LED

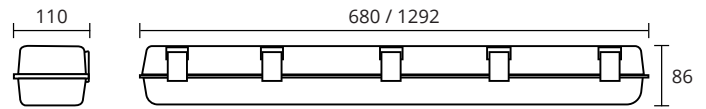
LED WEATHERPROOF



Key Features

- L80 B10.
- Rated 70,000 hours.
- CRI>80.
- Self cooling, zhaga certified LED boards.
- Stainless steel toggle clip fixings.
- UV stabilized high impact polycarbonate diffuser.
- Tamper proof clips with self tapping screws available upon request.
- Stainless Steel spring fixing brackets for mounting onto surfaces.
- Suitable for suspension with the stainless steel triangle provided.
- Ambient temperature -25° to 45°.

Dimensions



Technical Information

Configurations	Non Dim System wattage	Combined Board Output (lm)	Nominal Dimensions (mm)
1x08W	10.6	1220	600
2x08W	22.20	2440	600 & 1200
4x08W	38.10	4880	1200
1x14W	17.62	2200	600
2x14W	34.34	4400	600 & 1200
4x14W	68.52	8800	1200

Code

CWP-LED/4X08/12/40/TS/ND

Product Series	# of boards	Wattage of boards	Nominal Length	Colour Temperature	Tamper Proof screws	Driver
CWP-LED	1 1 Board 2 2 Board 4 4 Board	8 8W 14 14W	06 600 12 1200	30 3000K 40 4000K	TS Tamper Proof Screws	ND Non Dim DALI DALI Dim SD Switch Dim ME Emergency

Specifications subject to change without notice.

ETW

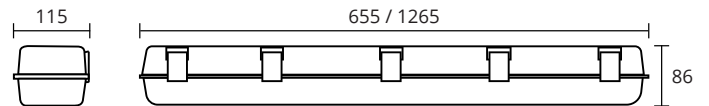
LED WEATHERPROOF



Key Features

- L70 B50. CRI≥80.
- Rated 50,000 hours.
- Multi-watt and multi-colour temperature selectable.
- High efficiency SMD LED chips.
- High impact polycarbonate body.
- Stainless steel clips and screws.
- High impact polycarbonate diffuser.
- Optional integrated microwave sensor with switchable or remote settings.
- Optional integrated emergency system.
- Surface or suspended mounting options.

Dimensions



Technical Information

Length	Colour Temp	Wattage							
		10W	14W	20W	24W	26W	30W	36W	40W**
06	3K	930Lm	1300Lm	1860Lm					
	4K / 5K / 5.7K / 6.5K	1000Lm	1400Lm	2000Lm					
12	3K	960Lm	1302Lm	1860Lm	2232Lm	2418Lm	2790Lm	3345Lm	3720Lm
	4K / 5K / 5.7K / 6.5K	1000Lm	1400Lm	2000Lm	2400Lm	2600Lm	3000Lm	3600Lm	4000Lm

Code

ETW/12/ND

Product Series		Wattage & Nominal Dimensions		Driver	
ETW	Surface	06	600mm	ND	Non Dim
ETW-SUS	Suspended	12	1200mm	EM	Emergency
				MS	Microwave Sensor
				RC	Remote control of sensor

See Technical Information Table for configurations options.
Specifications subject to change without notice.

KAI

LED FLOODLIGHT

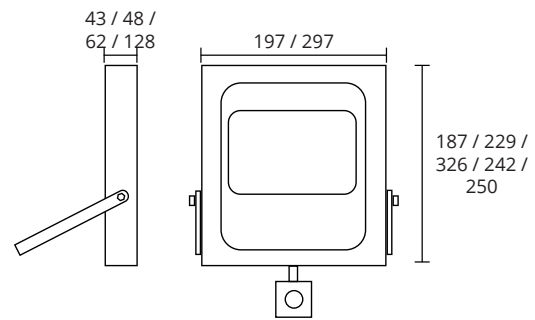


KAI-S

Key Features

- L70 B50.
- Rated 50,000 hours.
- Sensor version available as KAI-S.
- CRI ≥80.
- Corrosion and UV resistant polycarbonate body.
- 100° beam angle.
- Tempered glass.
- High efficiency SMD LED.
- Complete with 1.5m flex and plug.

Dimensions



* Dimensions dependent on module selected

Code

KAI/10/40/ND

Product Series		Wattage			CCT		Driver	
KAI	Standard	24	24 Watts	2640lm	50	5000K	ND	Non Dimming
KAI-S	Sensor (only 24W)	45	45 Watts	5000lm				
		85	85 Watts	10000lm				
			(Only standard)					

Specifications subject to change without notice.

KAI-2

HIGH OUTPUT LED FLOODLIGHT



IP66

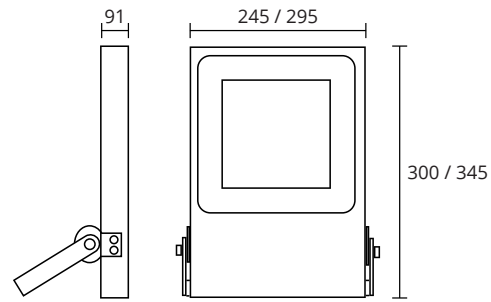
IK08



Key Features

- L70 B50.
- Rated 50,000 hours.
- CRI ≥80.
- Die Cast Aluminium black body.
- Aluminium reflector.
- 110° beam angle.
- Adjustable 90° angle of support.
- Tempered glass.
- Complete with 1.5m flex and plug.

Dimensions



* Dimensions dependent on module selected

Code

KAI-2/165/40/ND

Product Series	Wattage (W)			Colour Temperature		Driver	
	KAI-2	90	90 Watts	13300lm	40	4000K	ND
	120	120 Watts	18200lm	50	5000K		
	165	165 Watts	27000lm				

Specifications subject to change without notice.

MR

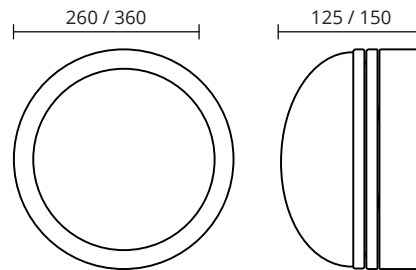
EXTERIOR BULKHEAD WALL MOUNTED / SURFACE MOUNTED



Key Features

- Die-cast Aluminium Body.
- Polycarbonate Diffuser.
- Silicone Gaskets.
- Integral control gear.
- Black powder coat finish, other colours available on re-quest.
- LED option, L75 B50@50,000.
- PLC available on request.

Dimensions



* Dimensions dependent on module selected

Accessories



Security Grill



Eyelid
(MR17 Only)

Code

MR17/GR/LED/40

Product Series	Size	Option	Type	Colour Temperature	Driver
MR	13 17 Small Large 1500lm 2500lm	(Blank) GR EL No cover Grill Eyelid	LED	30 40 3000K 4000K	ME Maintained Emergency (MR17 only)

Specifications subject to change without notice.

EWV

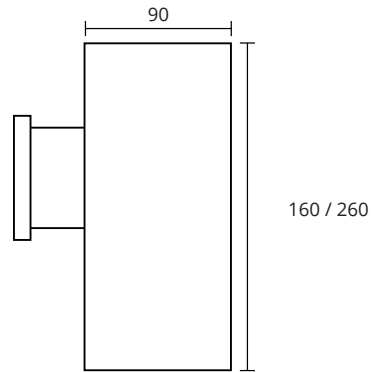
WEATHERPROOF WALL LIGHT



Key Features

- One way (850lm) and two way options (2x850lm).
- Rated 35,000 hours.
- CRI ≥80.
- Aluminium body.
- Powder coated.
- 30° beam angle.
- Tempered glass cover.

Dimensions



* Dimensions dependent on module selected

Code

EWV-2WY/2X10W/30/40/W/ND

Product Series		Wattage		Beam Angle		Colour Temperature		Finish Colour		Driver	
EWVD	EWV One Way	10W	10 Watt	30	30°	40	4000K	B	Black	ND	Non Dimming
EWVUD	EWV Two Way	2x10W	2x10 Watt					W	White		

Specifications subject to change without notice.



FOS

lighting

info@foslighting.com.au

foslighting.com.au

1300 241 087

FOS Lighting reserves the right to make any changes without prior notification