

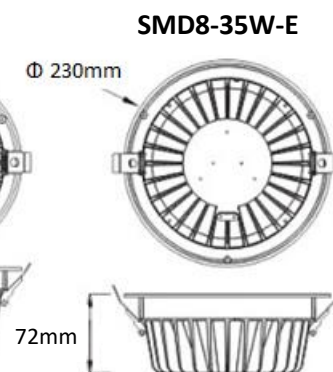
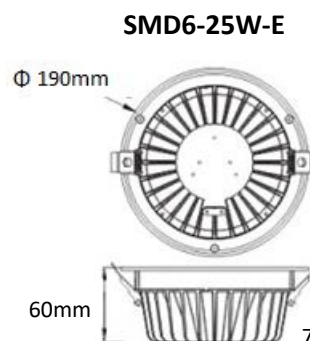
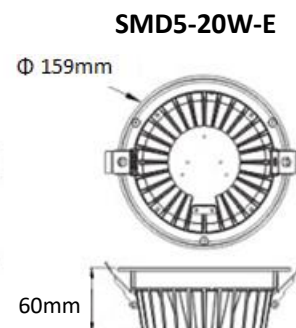
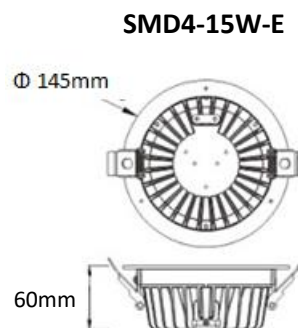
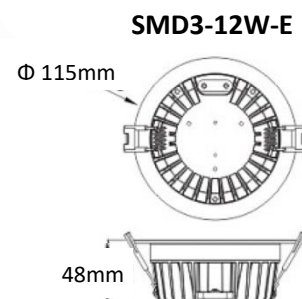
LED DOWNLIGHT – SMD Series



- Φ 100mm
- Φ 130mm
- Φ 150mm
- Φ 170mm
- Φ 210mm

Technical Details

Mounting:	Recessed										
Light Source:	SMD LED										
Power:	12W, 15W, 20W, 25W, 35W										
CCT:	3000K, 4000K, 5000K, 5700K										
CRI:	>80										
Lumen:	<table border="0"> <tr> <td>12W</td> <td>1140 lm</td> </tr> <tr> <td>15W</td> <td>1425 lm</td> </tr> <tr> <td>20W</td> <td>1900 lm</td> </tr> <tr> <td>25W</td> <td>2375 lm</td> </tr> <tr> <td>35W</td> <td>3325 lm</td> </tr> </table>	12W	1140 lm	15W	1425 lm	20W	1900 lm	25W	2375 lm	35W	3325 lm
12W	1140 lm										
15W	1425 lm										
20W	1900 lm										
25W	2375 lm										
35W	3325 lm										
Beam Angle:	90°										
Dimming Options:	Phase dimming, DALI, 1-10V										
IP Rate:	IP54										
Trim Color:	White / Black										
Order Code:											



Cutout Φ	12W	15W	20W	25W	35W
100~105mm	SMD3-12W-E	-	-	-	-
130~135mm	-	SMD4-15W-E	-	-	-
145~150mm	-	-	SMD5-20W-E	-	-
165~180mm	-	-	-	SMD6-25W-E	-
200~220mm	-	-	-	-	SMD8-35W-E