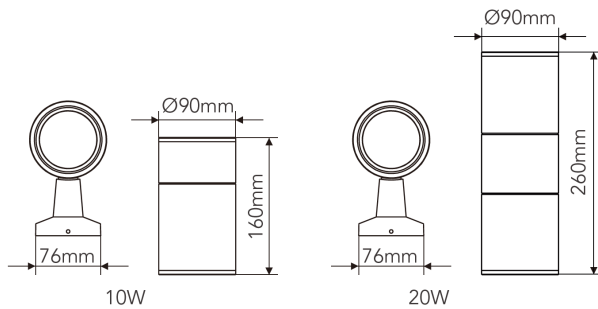


# EWV

## WEATHERPROOF WALL LIGHT

### FEATURES

- 35,000hrs.
- One way (850lm) and two way options (2x850lm).
- IP54 weatherproof.
- Aluminium body.
- Powder coated.
- Comes in white or black.
- Tempered glass cover.
- Beam angle 30°.
- CRI >80.



### PRODUCT CODE

Example code: EWW-2WY/2x10W/30/40/W/ND

*Specifications subject to change without notice.*

Product Series	Wattage	Beam Angle	Colour Temperature	Finish Colour	Driver
<b>EWV-1WY</b> EVV One Way	<b>10W</b> 10 Watt	<b>30</b> 30°	<b>40</b> 4000°K	<b>B</b> Black	<b>ND</b> Non-Dimming
<b>EWV-2WY</b> EVV Two Way	<b>2x10W</b> 2x10 Watt			<b>W</b> White	

**FREND**  
lighting

phone 1300 241 087

fax (617) 3272 9000

email sales@foslighting.com.au

PO Box 268

14 Jaybel Street, Salisbury

Brisbane QLD 4107

[www.frend.com.au](http://www.frend.com.au)