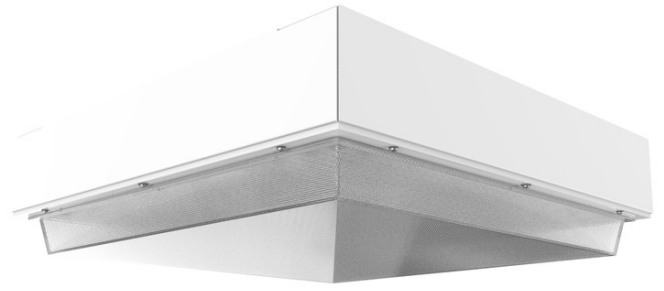


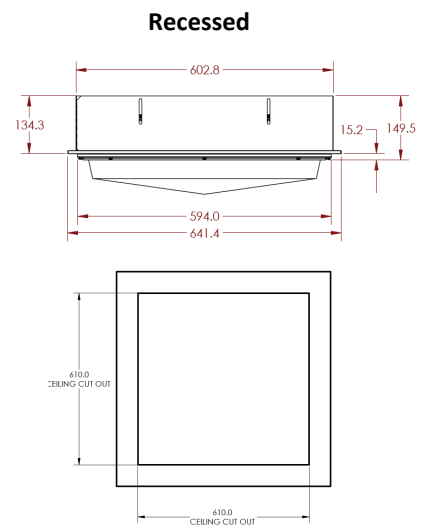
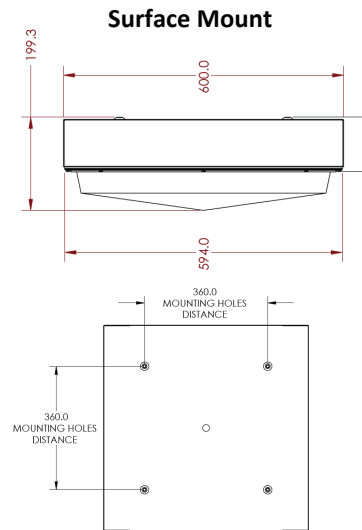
# SMHF-LED

## TROJAN



### FEATURES

- IP65.
- Surface mount or recessed option available.
- 120W, 160W or 240W (see below for technical details).
- 4000K or 5700K.
- CRI 80.
- Gasketed acrylic lens providing a weather and dust proof seal.
- Suitable for a variety of application environments.
- Designed and manufactured in Australia.



### TECHNICAL INFORMATION

Configurations	Non Dim Wattage	Colour Temperature	Lumens
Surface Mount	120W	4000°K/5700°K	17,700
Surface Mount	160W	4000°K/5700°K	22,170
Surface Mount	240W	4000°K/5700°K	33,085
Recessed	120W	4000°K/5700°K	17,700
Recessed	160W	4000°K/5700°K	21,350
Recessed	240W	4000°K/5700°K	31,555

### PRODUCT CODE

Example code: SMHF-LED/160W/40/ND

Specifications subject to change without notice.

Product Series	Wattage of Boards	LED Type	Driver
SMHF-LED Surface	120 120W	40 4000K	ND Non Dimming
PBHF-LED Recessed	160 160W	57 5700K	DALI DALI
	240 240W		

**FREND**  
lighting

phone 1300 241 087

fax (617) 3272 9000

email sales@frend.com.au

PO Box 268

14 Jaybel Street, Salisbury

Brisbane QLD 4107

[www.frend.com.au](http://www.frend.com.au)