

WPF/WPT

IP65 LED DOWNLIGHT

FEATURES

- WPF75 10W Fixed.
- WPT90 13W Adjustable.
- IP65.
- 10W 75mm cutout.
- 13W 90mm cutout.
- Phase or DALI dimming available.
- CRI>80.
- 3000K or 4000K.



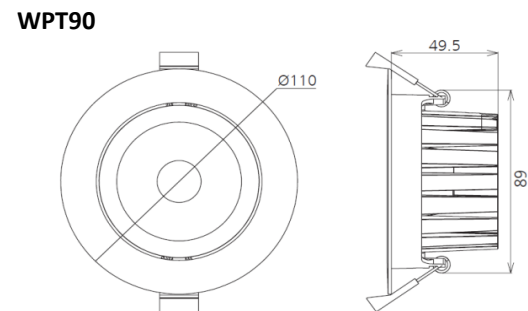
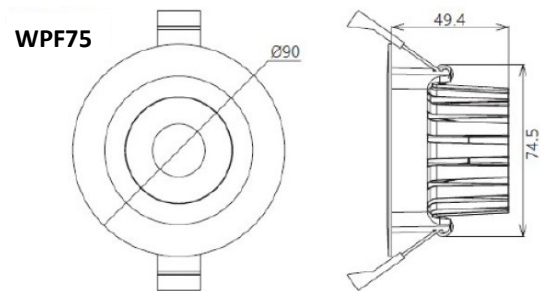
WPF75



WPT90

TECHNICAL INFORMATION

Non Dim Wattage	Colour Temperature	Lumens
10W	3000°K	870
10W	4000°K	1000
13W	3000°K	1200
13W	4000°K	1350



SPECIFICATIONS		
Cutout	10W	13W
75-80mm	WPF75-10W	-
90-95mm		WPT90-13W

PRODUCT CODE

Example code: WPF75/10/40/60

Specifications subject to change without notice.

Product Series	LED Type	Beam Angle
WPF75/10	10W, 75 cutout	30 3000K 60 60°
WPT90/13	13W, 90 cutout	40 4000K

FREND
lighting

phone 1300 241 087

fax (617) 3272 9000

email sales@foslighting.com.au

PO Box 268

14 Jaybel Street, Salisbury

Brisbane QLD 4107

www.frend.com.au